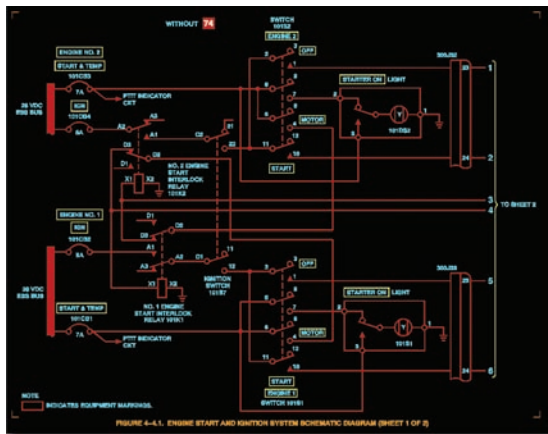


Graphics Conversion / Technical Illustrating

Dayton T. Brown, Inc. creates technical illustrations to support paper and electronic technical manuals (IETM/IETPs), parts catalogs, wiring diagram manuals, and all other types of technical information. DTB's capability includes three-dimensional illustrations, exploded views, orthographic drawings, schematics and wiring diagrams. DTB also adds intelligence into graphics to support highlighted signal flow tracing, interactive troubleshooting, intrusive diagnostics, and e-learning applications.

DTB's Technical Services division specializes in the conversion of raster-based graphics (those defined by

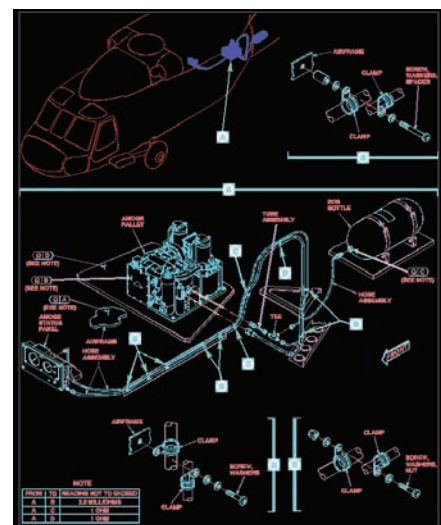
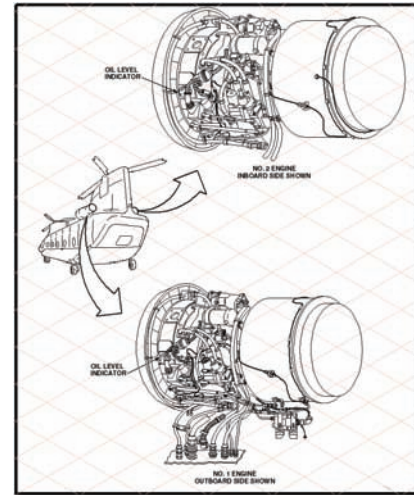


pixels or bitmaps) into their true vector representations (those defined by mathematical formulae). Our processes ensure that your graphics are rendered into the highest quality vectorized drawings.

Although automated processes exist for converting bitmap or raster graphics into vector

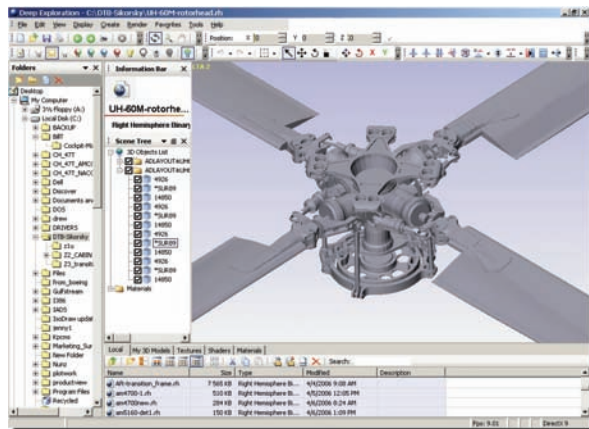
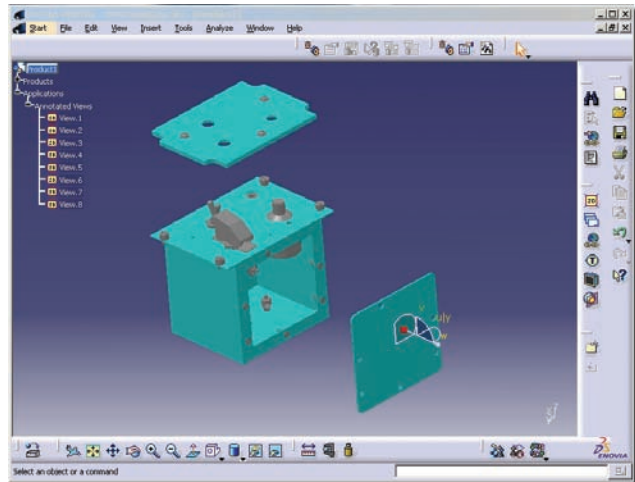
representations, oftentimes the result doesn't meet expectations. Fine details are lost in the automated conversion process; under close scrutiny, these details can make the difference in a successful overhaul or repair activity, especially with less experienced mechanics.

The difference in quality is important to you because of the impact it has on the cost of repair or overhaul of equipment. We recognize that no software can yet substitute for the genius which sits between the chair and the keyboard. Our expertise in the graphics conversion process





is unrivaled. Our technical illustrators have a combined experience of over 100 years of knowledge in diverse areas: aircraft engines, fixed- and rotary-wing airframes, cockpit controls, weapon systems, naval and marine vessels, heavy equipment, automotive manufacturing, hydraulic processes, test stand fabrication, sheet metal fabrication, architectural and topographic surveys, schematics and electrical diagrams, and so on. Moreover, they have access to exhaustive subject matter expertise in our technical authoring and logistics departments for further guidance. This knowledge base of real human experience informs our technical illustrations and greatly enhances the accuracy and actual usability of your drawings.



We also offer 3D to 2D extraction and conversion services to provide illustrations to support your technical authoring and training activities. Using specialized software, our illustrators can extract 2D slices from popular 3D CAD packages (CATIA®, Autodesk Inventor®, dss Solidworks®, PTC Pro/ENGINEER®) and repurpose the data and geometry for your specific application. We can create isometric, orthographic, cut-away, and exploded views along with

lightweight animated renderings of 3D data for use on the Internet or in learning environments (Acrobat 3D®).

To support your interactive content needs (IETM/IETP), our illustrators have extensive experience with intelligent graphics applications such as ActiveCGM® and Arbortext IsoDraw®. We can integrate assembly data into CGM and SVG graphics and provide hotspotting (links) between drawings, highlighting of targeted components, menu-based navigation, animation and other embedded features on those drawings.

For more information or to request a quote, visit us at:

<http://www.dtb-infopros.com/info-technical-graphics-01.asp>.